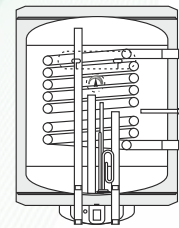




MB

80, 100, 120



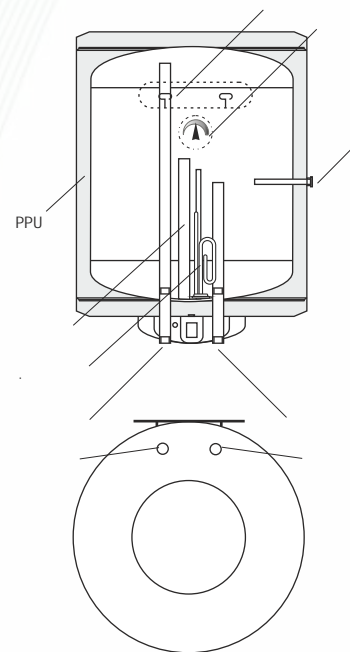
MB V S1

PU - 20 mm  
RAL 9003

DIN 4753-3

DIN 4753-6

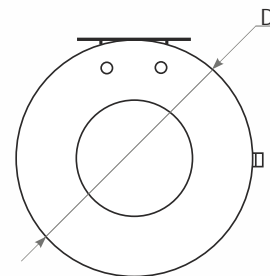
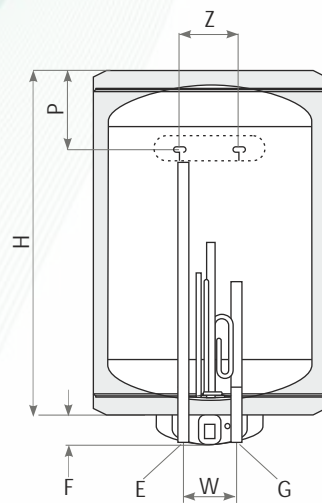
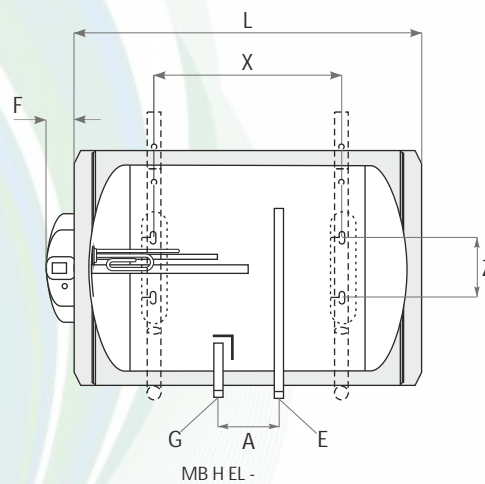
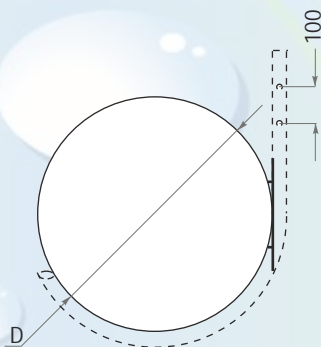
8



MB V EL

# SUNSYSTEM®

Energy from the sun



MB V EL -

		MB 80 V/H EL	MB 100 V/H EL	MB 120 V/H EL
I		80	100	120
( ) /	mm	800 (800)/460	960 (960)/460	1120 (1120)/460
D	mm	ø 440	ø 440	ø 440
/	bar/°C	8/95	8/95	8/95
	bar	13	13	13
		✓	✓	✓
		✓	✓	✓
	kW	2/3	2/3	2/3
	G	R½" (45)	R½" (45)	R½" (45)
	E	R½" (395)	R½" (395)	R½" (395)
H (L)	mm	740 (740)	900 (900)	1060 (1060)
F	mm	60 (60)	60 (60)	60 (60)
W	mm	120	120	120
P	mm	180	180	180
X	mm	(380)	(540)	(700)
A	mm	(80)	(80)	(80)
Z	mm	240 (240)	240 (240)	240 (240)
/CrNi	kg	55/41	61/46	70/52

NES Ltd.  
 9700, 12  
 : 054/ 874 546, : 054/ 874 556  
 e-mail: [ftrade@sunsystem.bg](mailto:ftrade@sunsystem.bg)  
[www.sunsystem.bg](http://www.sunsystem.bg)